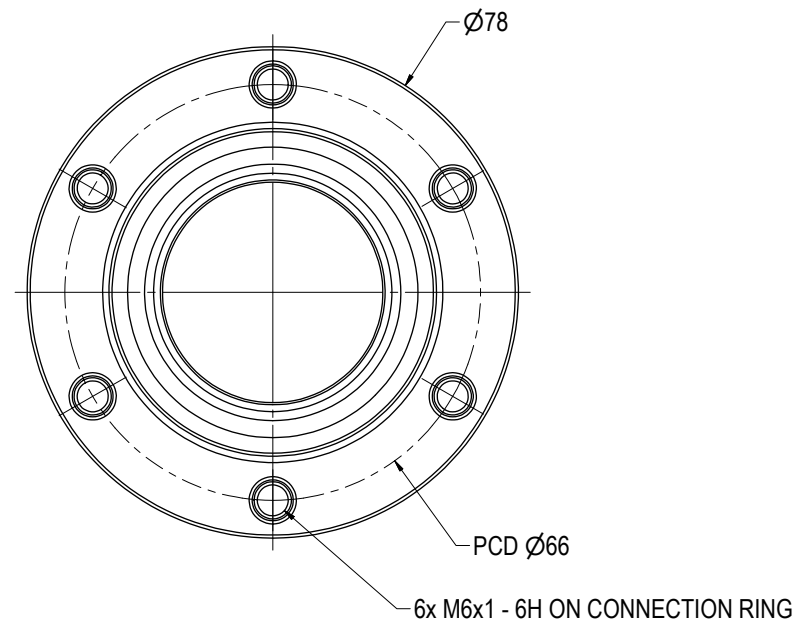
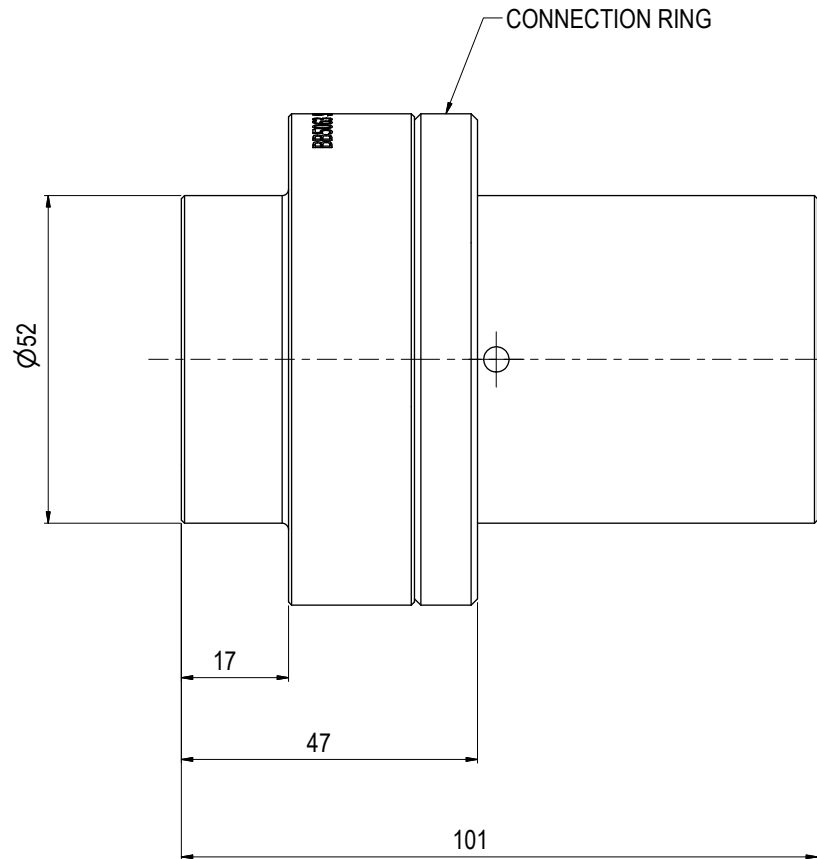


NOTE: 1
 DESIGN CODE:
 API 17H/6A

NOTE: 2
 TECHNICAL CLASSIFICATION:
 Article Type: 001-Hot Stabs
 Main Group: 1.01. Ø35 Hot Stab
 Intermediate Group: 1.1.02. Receptacle
 Sub Group: 1.1.2.02. Dual

NOTE: 3
 INTERFACE INFORMATION:
 Pressure Rating Bar: N/A
 Design Water Depth: N/A
 Material: Long-term
 Weight: 0,3 kg
 Volume: 0,18 dm³
 Submerged Weight: 0,15 kg
 Surface Area: 481 cm²
 Hydraulic: N/A
 Mechanical: 6xM6@PCD 66
 Electrical: N/A
 Com. & Protocol: N/A



Rev.	Date	Reason for issue	Revision change	WTJ	TAS	LGH
01	18.8.2020	9-IFU (Issued for Use)				
				Made	Chk'd	Appr.



Dwg Scale:	NTS
Dwg Proj:	
Dwg Format:	A3

Drawing title:	Ø35 DP Park Rec Vented Long-term	
Drawing number:	BB5062	Rev. 01